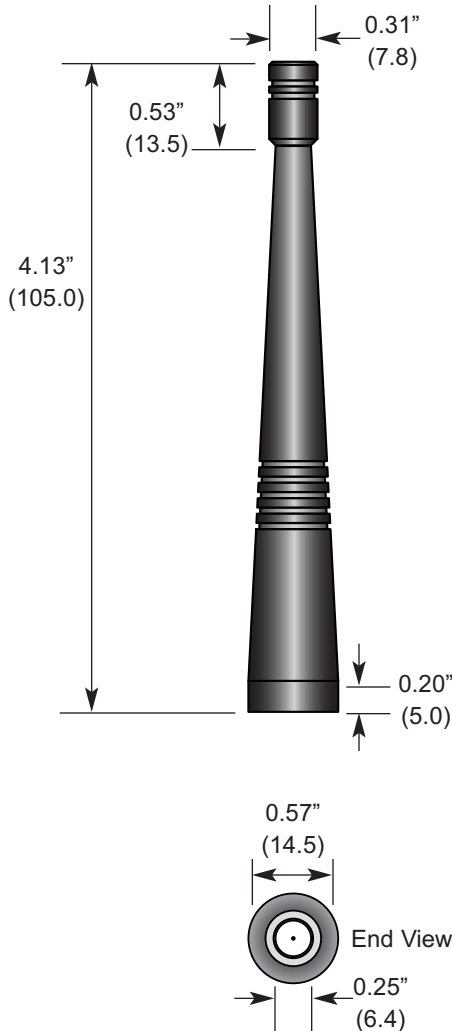


### Product Dimensions



### Description



CW Series 1/2-wave antennas deliver outstanding performance in a rugged and cosmetically attractive package. The internal ground reference reduces dependence on an external ground plane. These antennas feature an FCC Part 15 compliant RP-SMA connector. This simplifies packaging and shipment, allowing for easy field replacement while complying with FCC requirements. A wide variety of matching connectors allows for numerous mounting options.

### Features

- Low cost
- Excellent performance
- Omni-directional pattern
- Wide bandwidth
- Very low VSWR
- Fully weatherized
- Flexible main shaft
- Rugged & damage-resistant
- SMA or Part 15 compliant RP-SMA connector
- Use with plastic or metal enclosures

### Electrical Specifications

- Center Freq. 2.45GHz
- Bandwidth 250MHz
- Wavelength 1/2-wave
- VSWR <1.9 typ. at center
- Impedance 50 ohms
- Connector RP-SMA or SMA

Electrical specifications and plots measured on 4.00" x 4.00" reference ground plane

### Ordering Information

- ANT-2.4-CW-QW-RPS (with RP-SMA connector)
- ANT-2.4-CW-QW-SMA (with SMA connector)

### VSWR Graph

