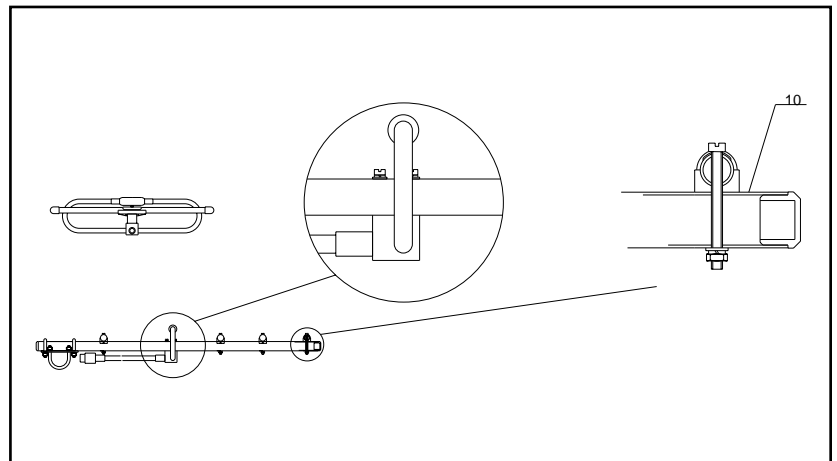
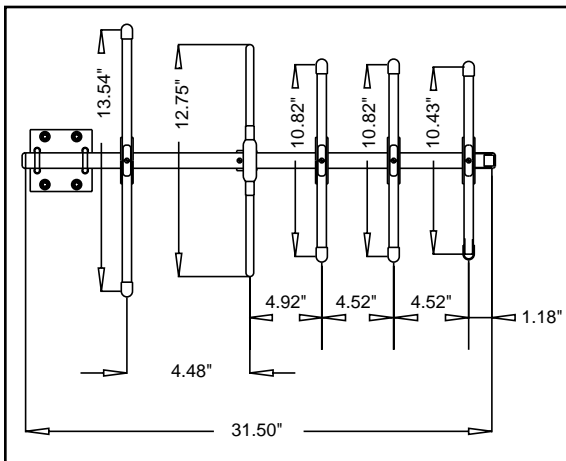


ANT-418-YG5-N Yagi Antenna Specifications

ITEM	SPECIFICATION
Model	ANT-418-YG5-N
Center Frequency	418MHz
Frequency Range	404-446MHz
Impedance	50Ω
Polarization	Vertical or Horizontal
VSWR	≤1.5
F/B Ratio	18dB
Gain	10dBi
Beamwidth	40°
Max. Power	100W
Weight	2 lbs.
Connector	N-Style (other connectors available for volume applications)
Element Material	Stainless Steel
Wind Velocity	60 m/s



Fits Maximum 2.1" Diameter Mast