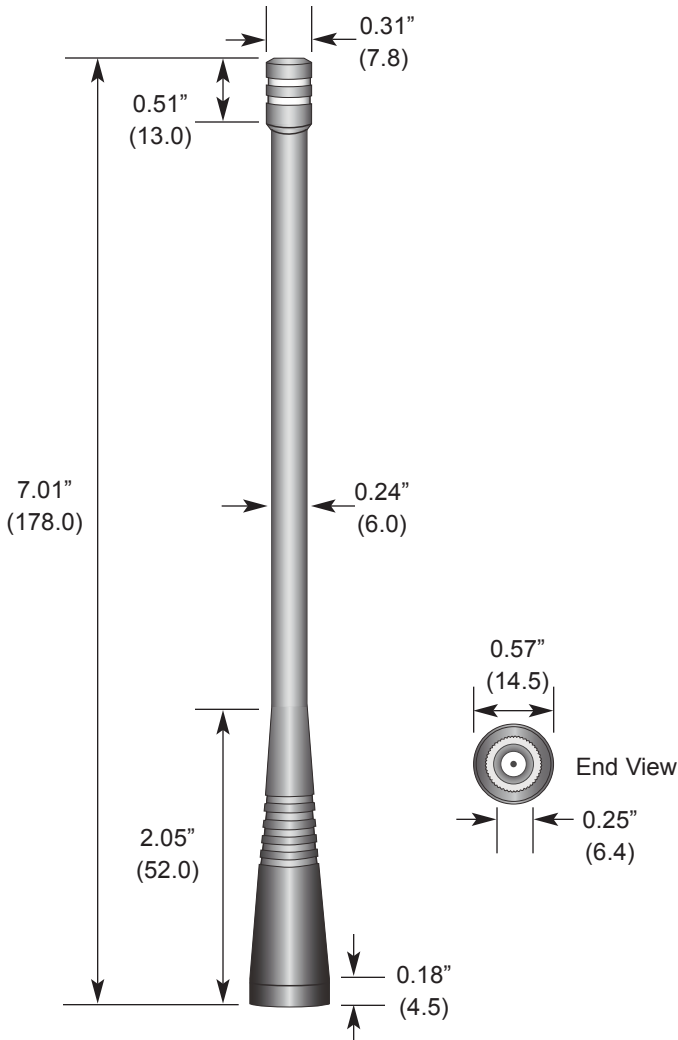


### Product Dimensions



### Description



CW Series 1/4-wave antennas deliver outstanding performance in a rugged and cosmetically attractive package. These antennas are available with standard SMA or FCC Part 15 compliant RP-SMA connectors. RP-SMA connectors allow for easy field replacement while complying with FCC requirements. A wide variety of matching connectors permit numerous mounting options.

### Features

- Low cost
- Excellent performance
- Omni-directional pattern
- Wide bandwidth
- Very low VSWR
- Fully weatherized
- Flexible main shaft
- Rugged & damage-resistant
- Standard SMA or Part 15 compliant RP-SMA connector
- Use with plastic\* or metal enclosures

\* Requires proximity ground plane

### Electrical Specifications

- |                           |                     |
|---------------------------|---------------------|
| • Center Freq.            | 418MHz              |
| • Recommended Freq. Range | 380-450MHz          |
| • Wavelength              | 1/4-wave            |
| • VSWR                    | <1.9 typ. at center |
| • Impedance               | 50 ohms             |
| • Connector               | SMA or RP-SMA       |

Electrical specifications and plots measured on 4.00" x 4.00" reference ground plane

### Ordering Information

- ANT-418-CW-QW (with RP-SMA connector)
- ANT-418-CW-QW-SMA (with SMA connector)

### VSWR Graph

