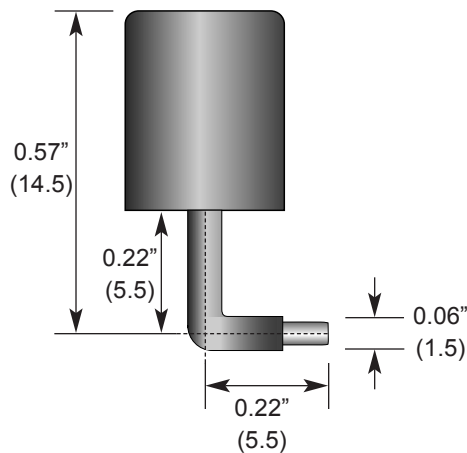
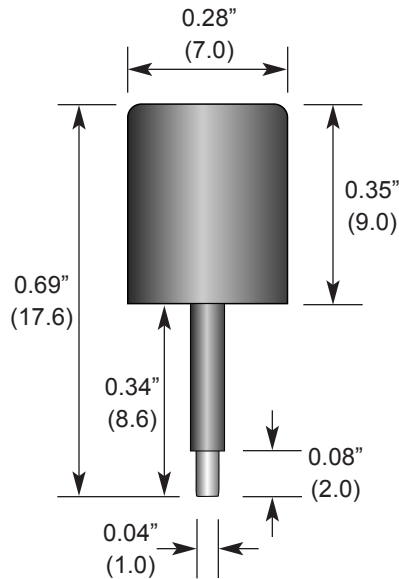
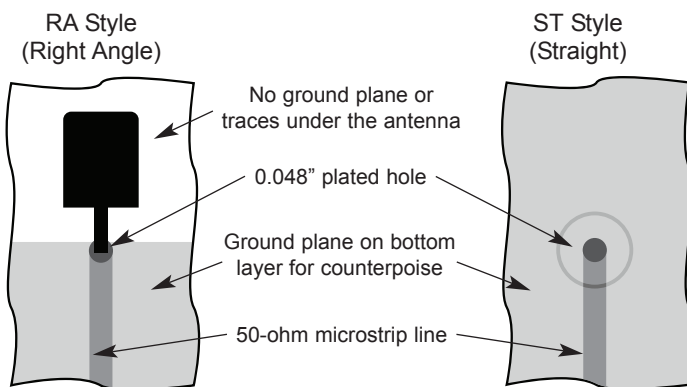


Product Dimensions



Recommended Mounting



Description



The JJB Series packs near the performance of a conventional monopole into an incredibly compact quarter-inch (7mm) diameter package. These antennas are ideal for any OEM application requiring a compact, cosmetically attractive, low-cost antenna solution. The antenna features a through-hole feedline that can attach directly to a user's PCB. Internal or external mounting is possible. For assemblies requiring a JJB antenna capable of withstanding reflow temperatures up to 260° C, see the JJB-HT Series.

Features

- Very low cost
 - Ultra-compact package
 - Easily concealed internally
 - Good for internal or external mounting
 - Excellent performance
 - Omnidirectional pattern
 - Use with plastic* enclosures
- * Requires proximity ground plane

Electrical Specifications

- Center Freq. 868MHz
- Recmd. Oper. Freq. 855-880MHz
- Wavelength 1/4-wave
- VSWR ≤ 2.0 typ. at center
- Impedance 50 ohms
- Connection Direct solder

RA electrical specifications and plots measured on a 1.50" x 3.30" ground plane
ST electrical specifications and plots measured on a 3.50" x 3.50" ground plane

Ordering Information

- ANT-868-JJB-RA (Right Angle)
- ANT-868-JJB-ST (Straight)

VSWR Graph

